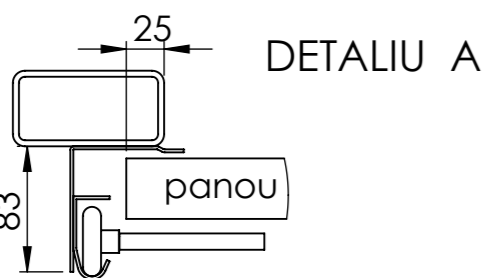
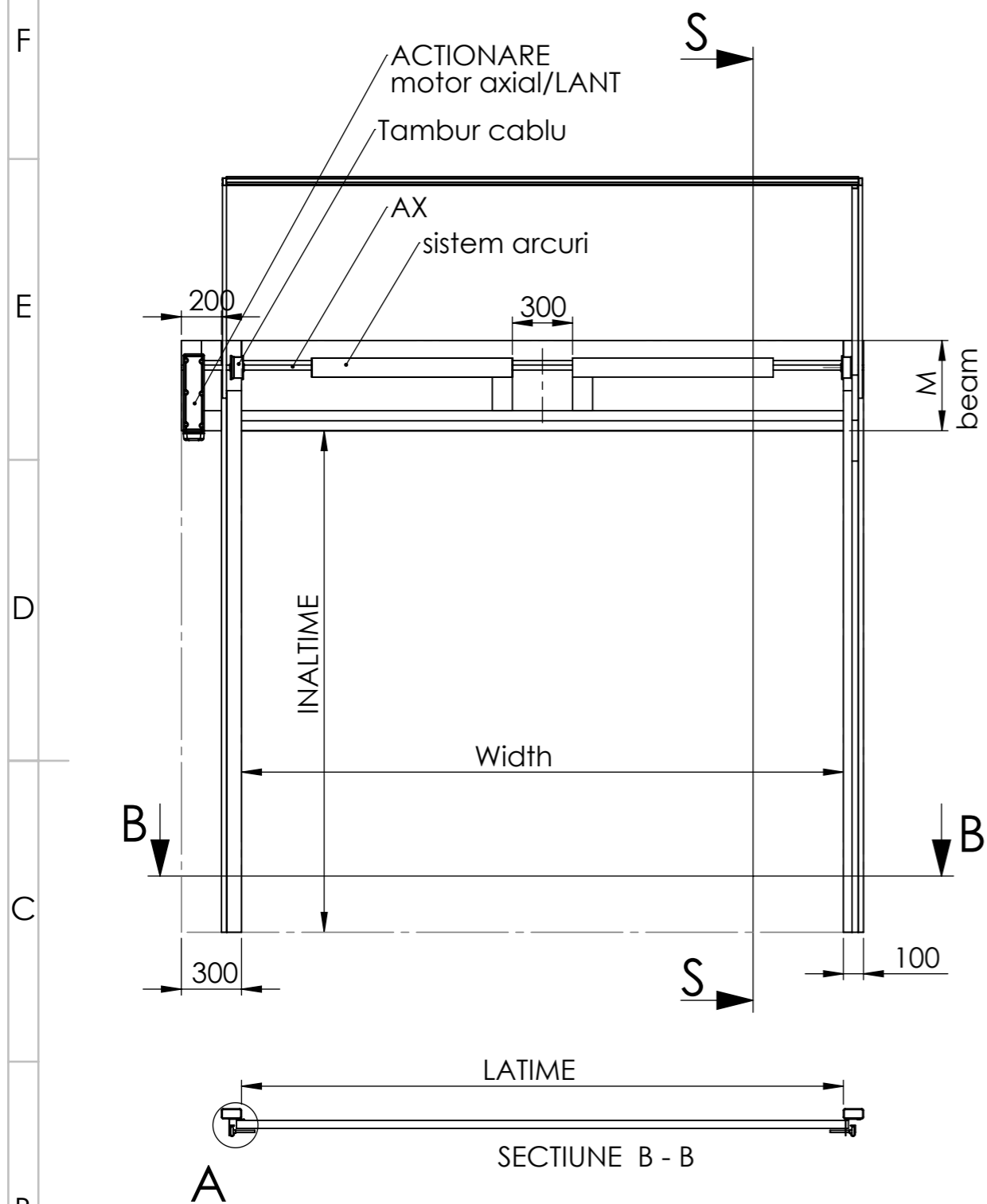
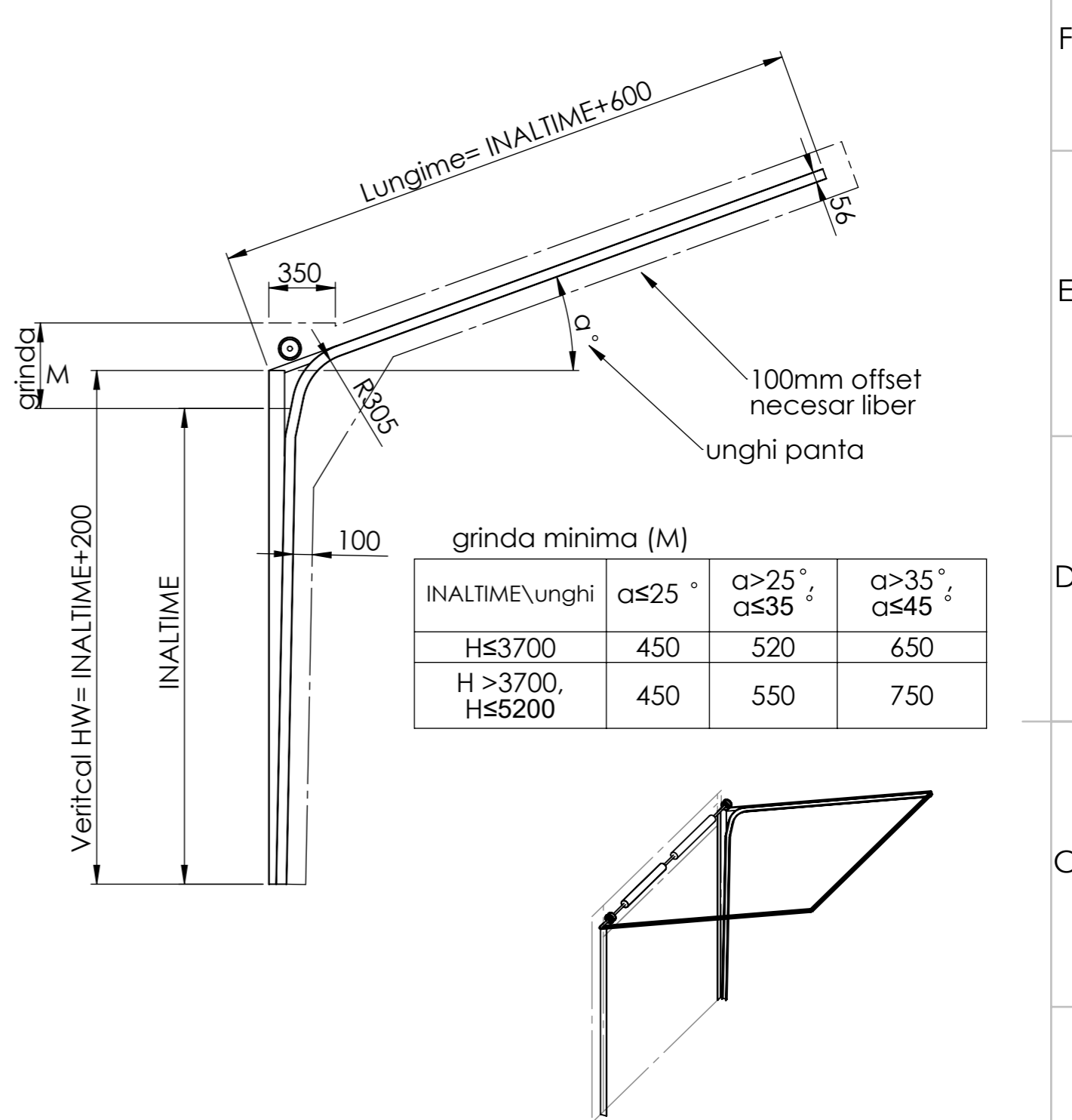


VEDERE FRONTALA - INTERIOR



SECTIUNE LATERALA S - S



modelul prezentat este pentru o usa cu 3000 LATIME x 2500 INALTIME, panta=20°

		FINISH:		DEBURR AND BREAK SHARP EDGES		DO NOT SCALE DRAWING		REVISION	
DRAWN		SIGNATURE		DATE		TITLE: FTR			
CHK'D						Follow the Roof - INDUSTRIAL			
APPV'D						DWG NO. System FTR		A3	
MFG						SCALE: 1:100		SHEET 5 OF 11	
Q.A						WEIGHT:			